

x1

M6x20 mm



x1



x1



x2

M6x12 mm

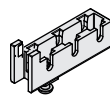


x2

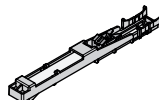
M6x16 mm



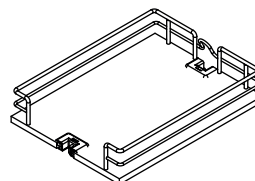
x1



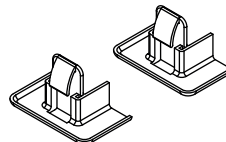
x1



x1



+



x4 / x5 / x6

ø4x16 mm

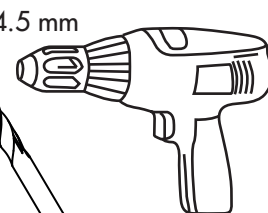
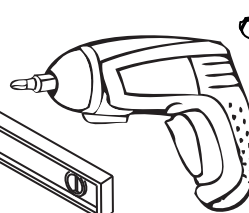
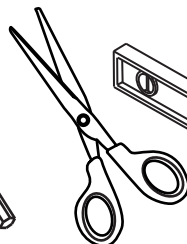
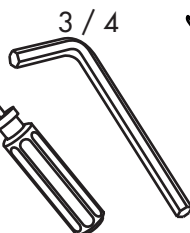
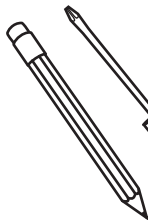
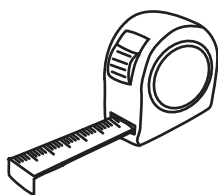


x20

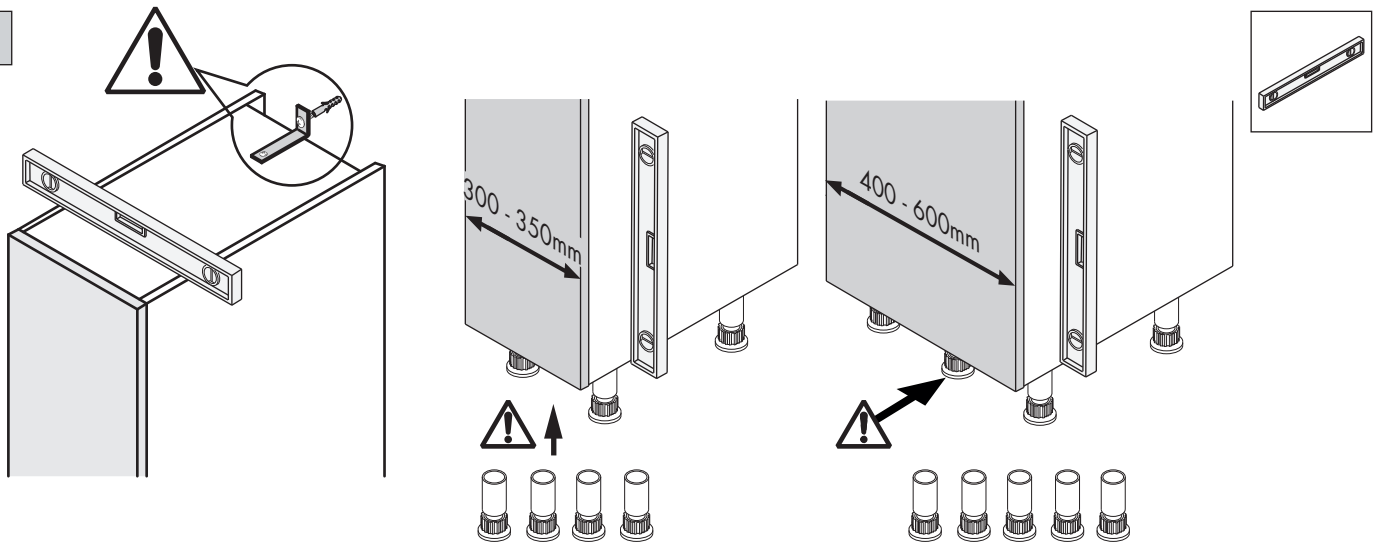
M4x40 mm



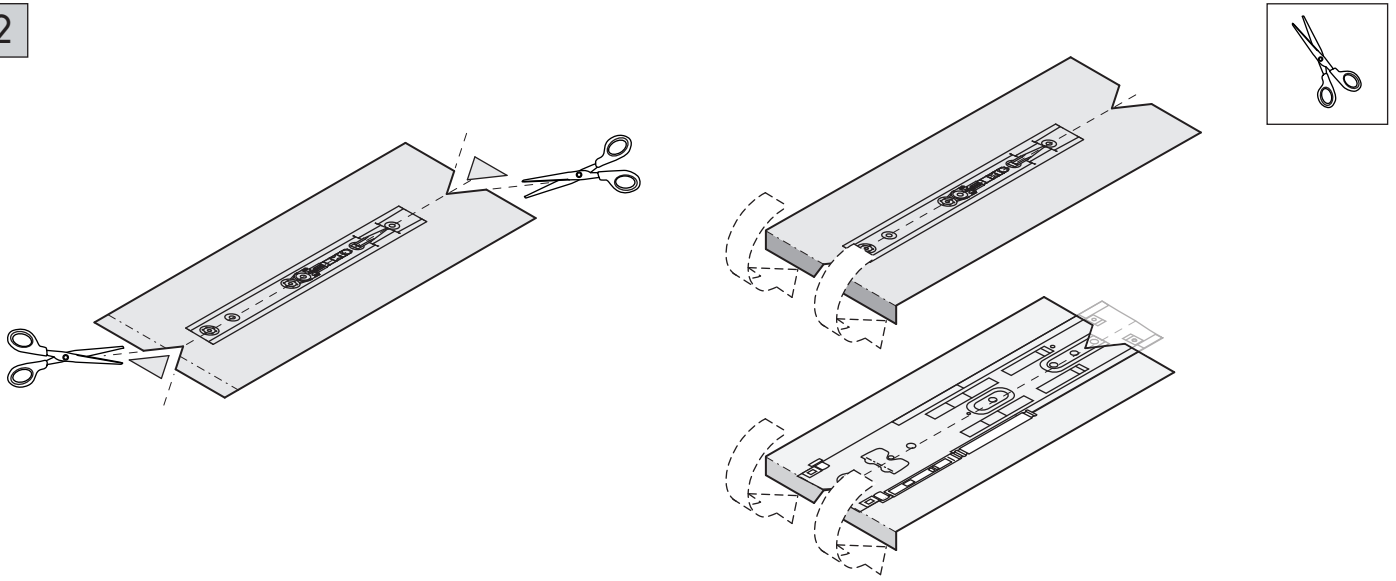
x3



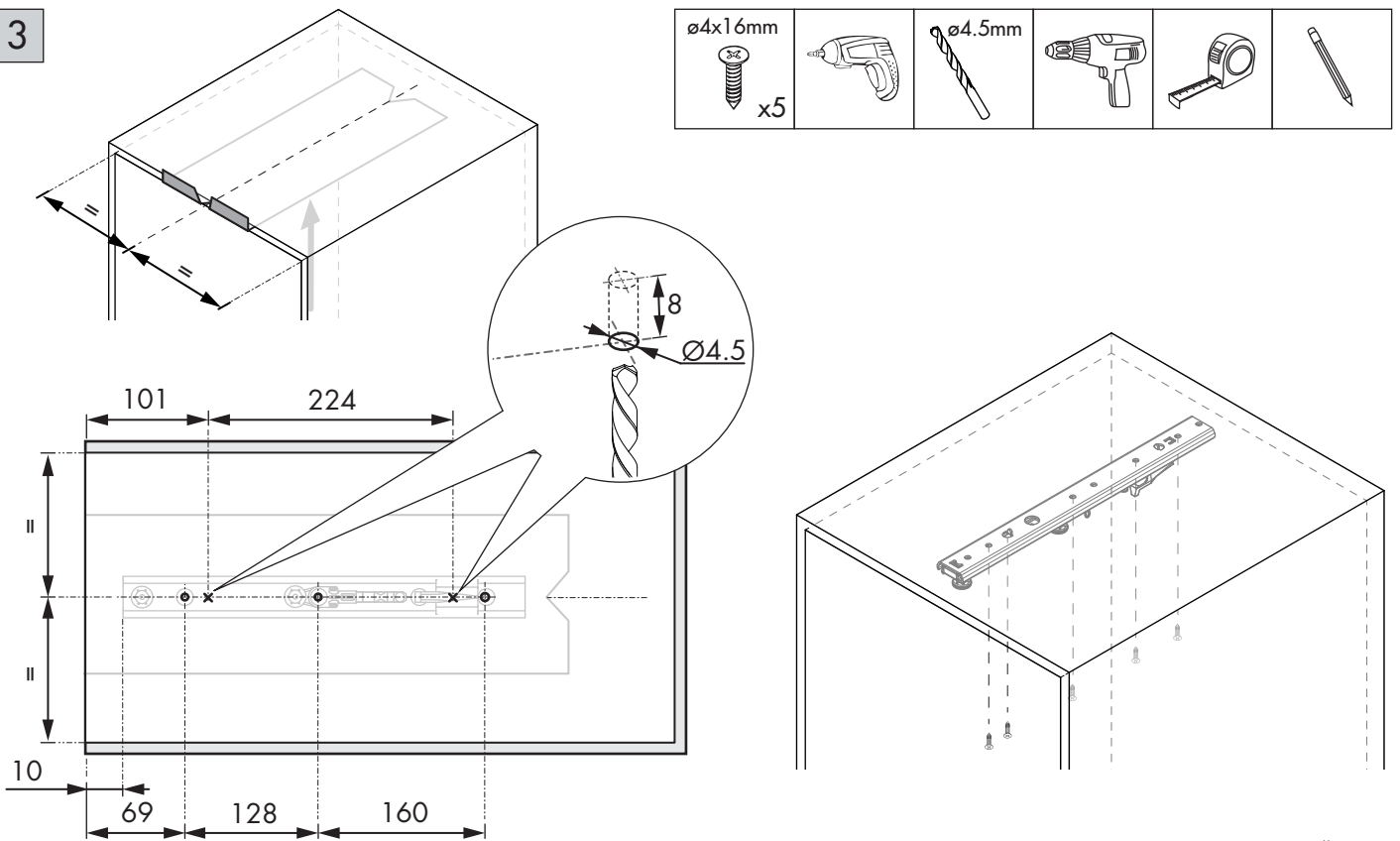
1



2

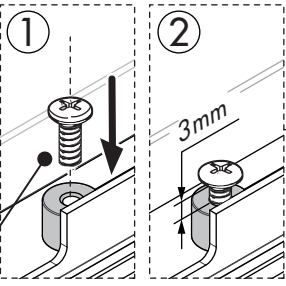


3



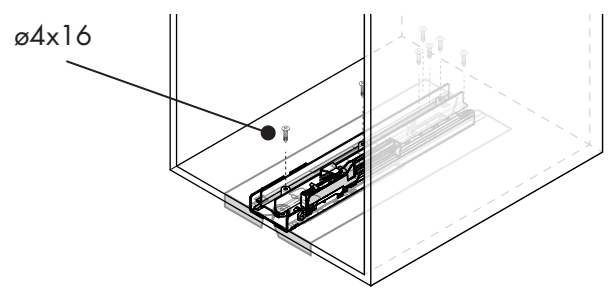
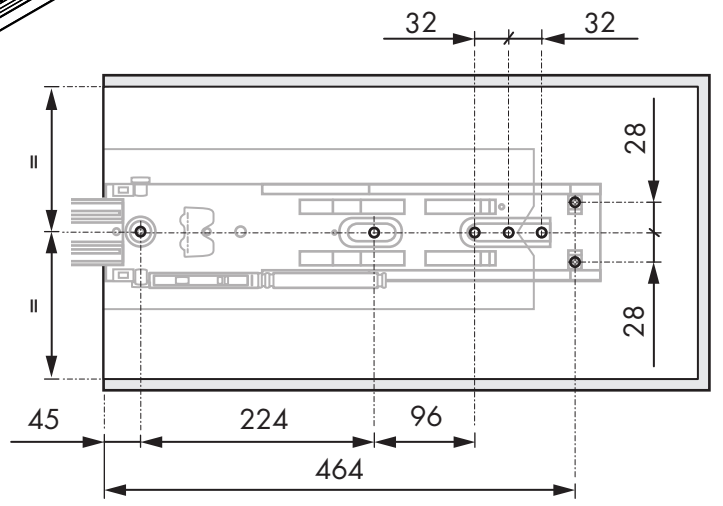
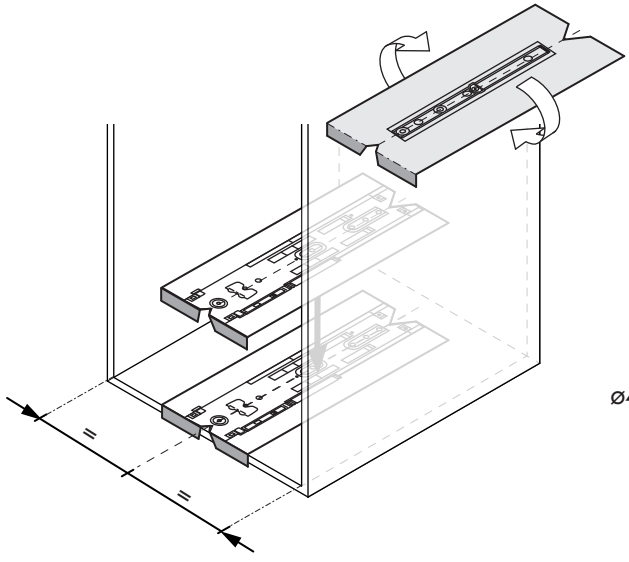
Units in millimeters

4

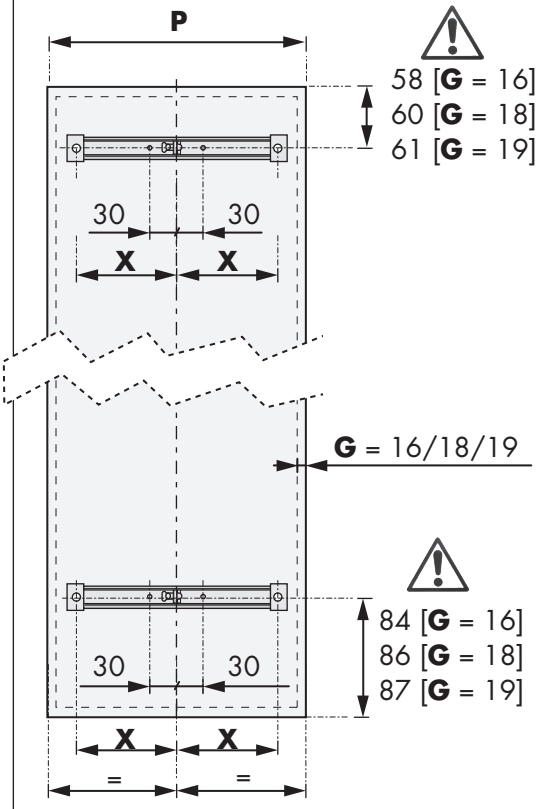


M16x12

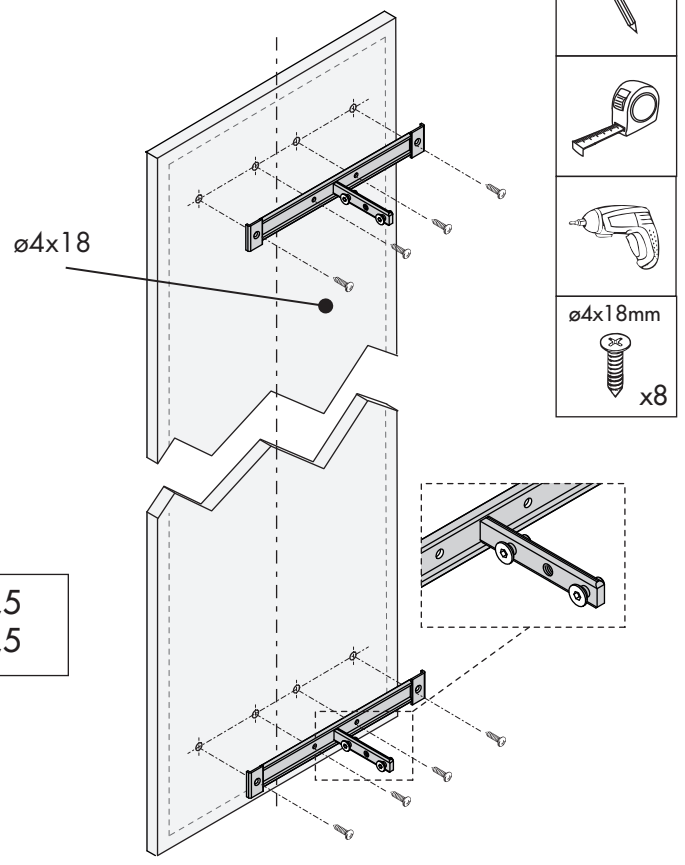
$\varnothing 4 \times 16 \text{mm}$ x7	M6x12mm x2			
---	---------------	--	--	--



5

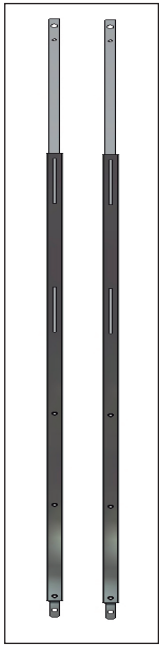


P	X
300	114,5
400	164,5



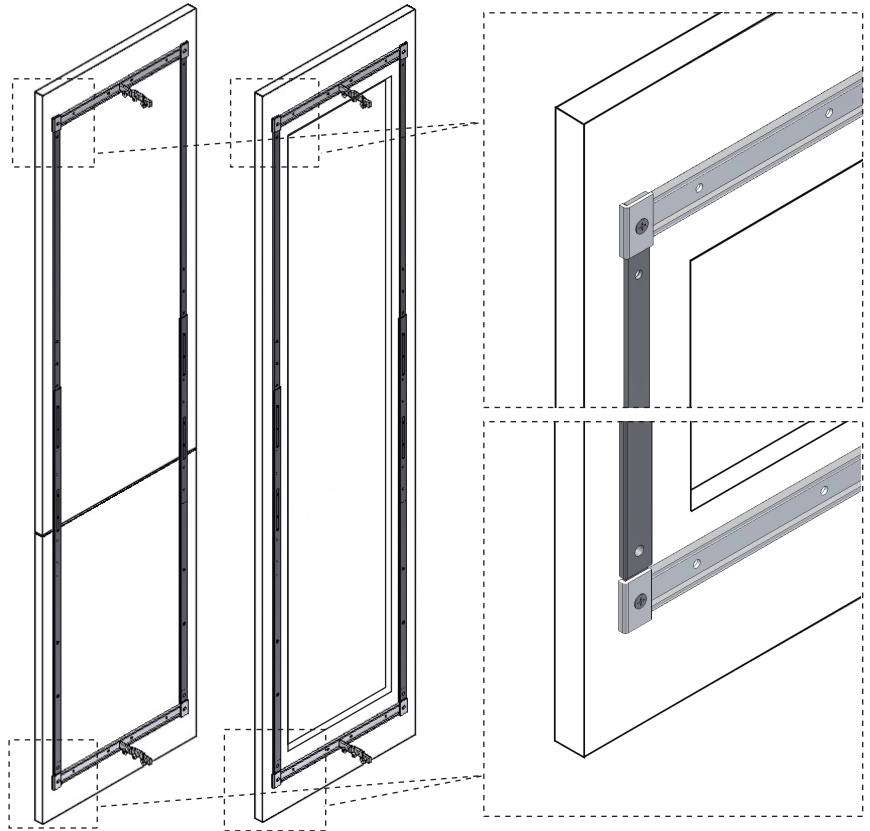
$\varnothing 4 \times 18 \text{mm}$ x8

## Optional accessories

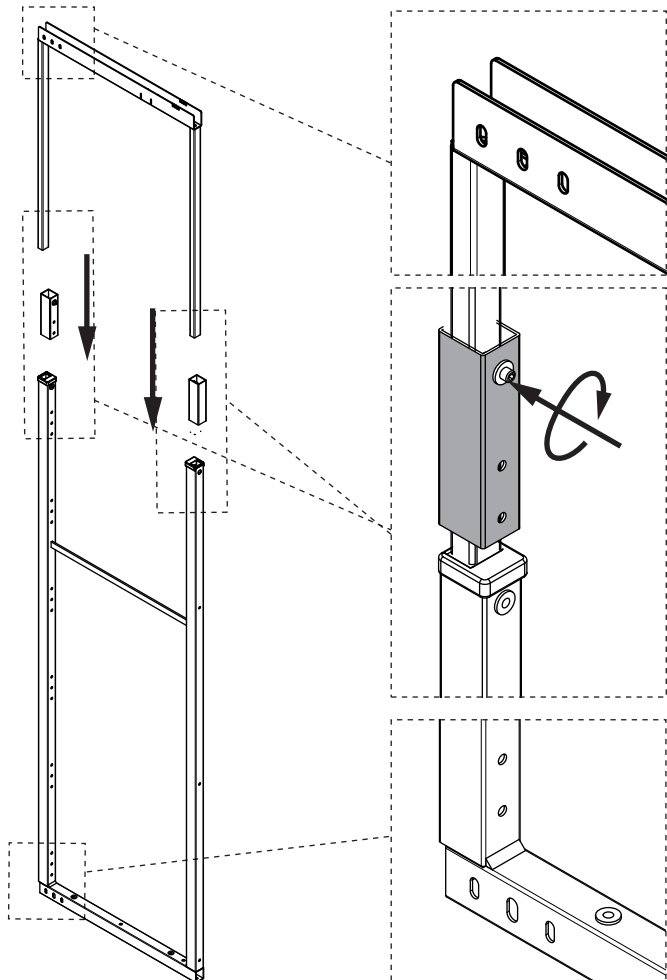
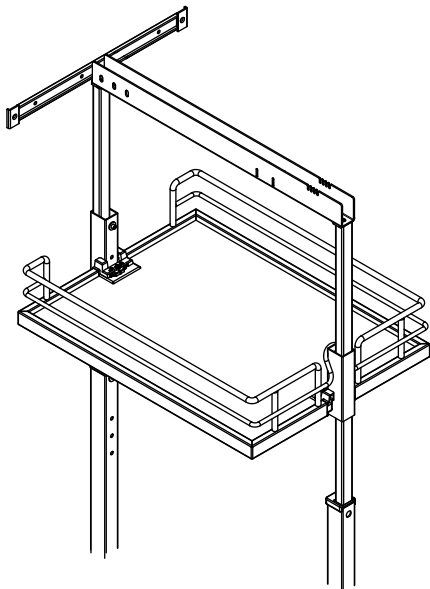
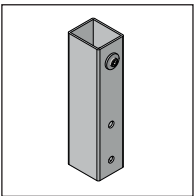


**H**

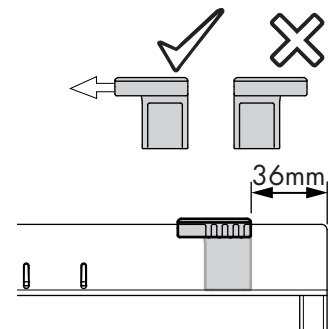
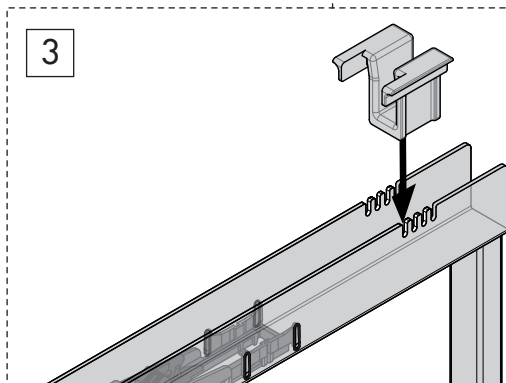
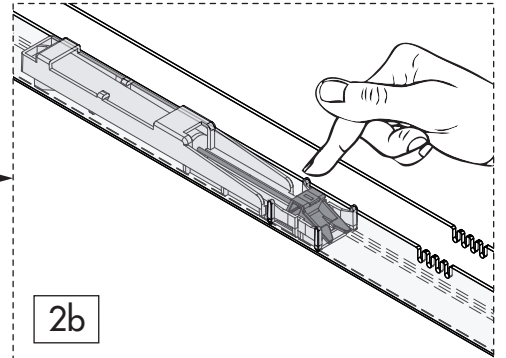
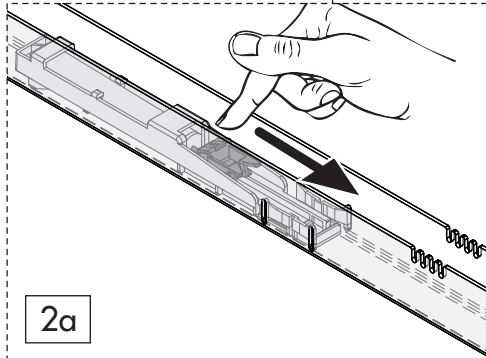
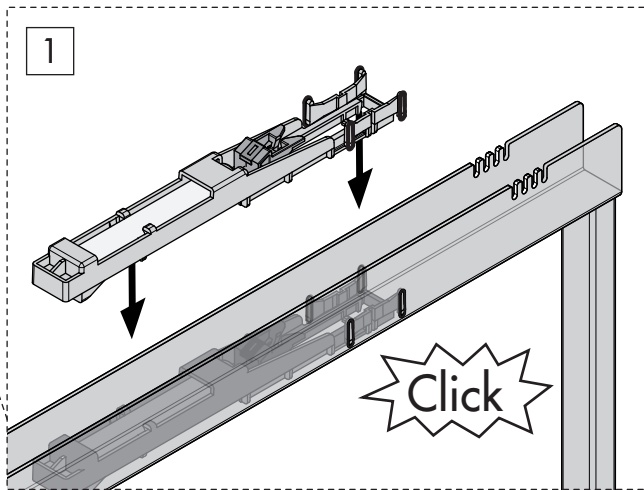
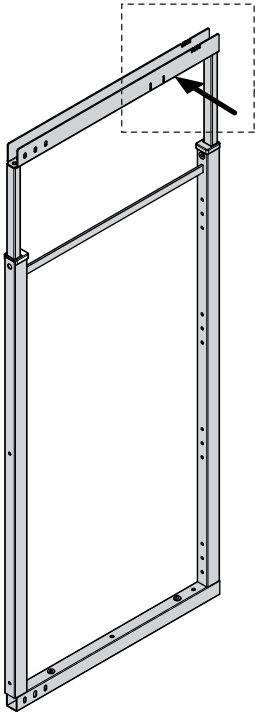
1600 - 2000



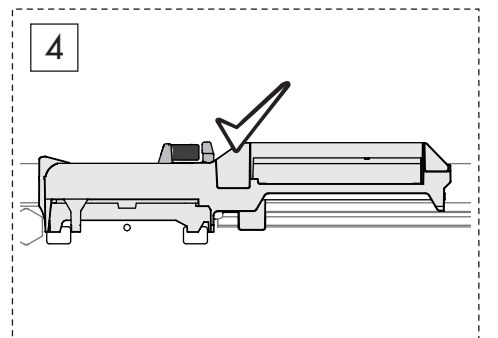
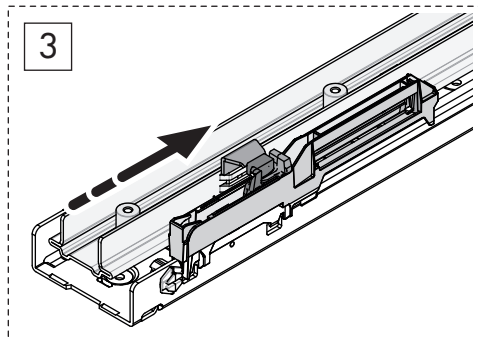
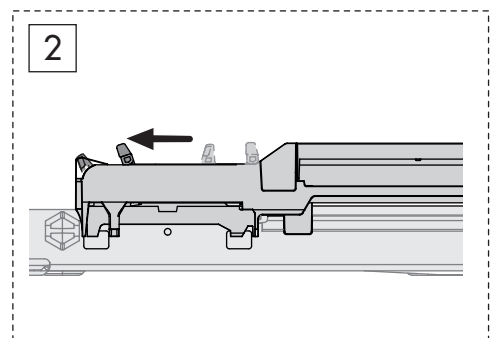
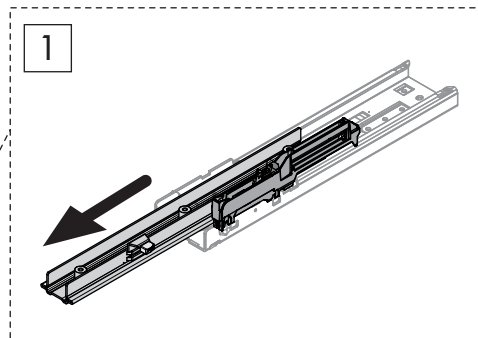
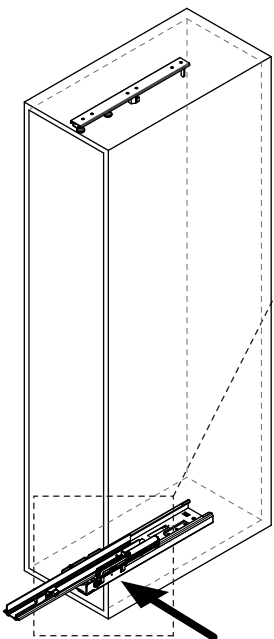
## Optional accessories



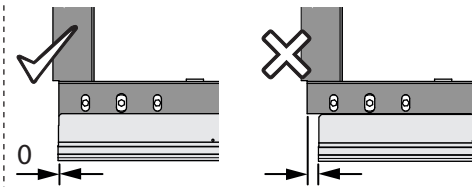
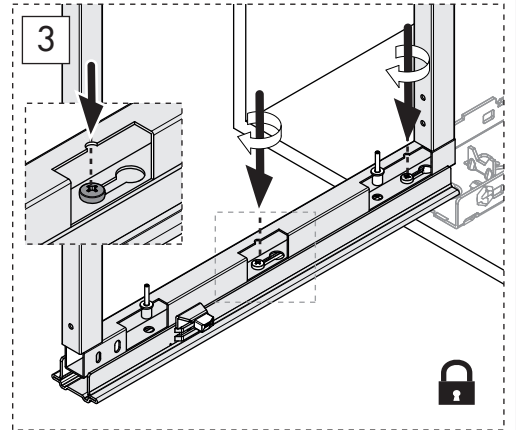
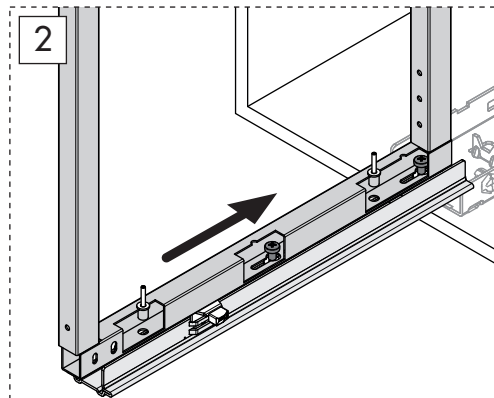
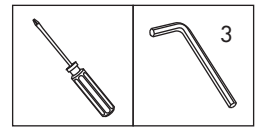
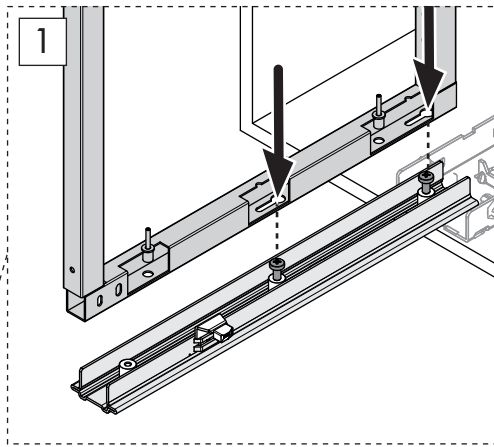
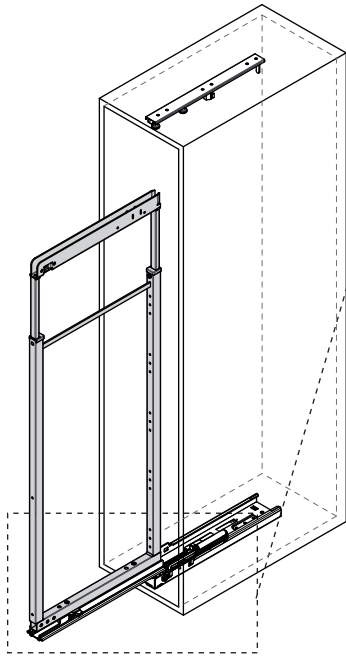
6



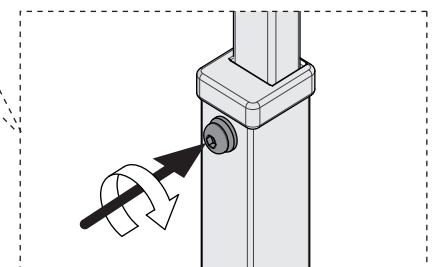
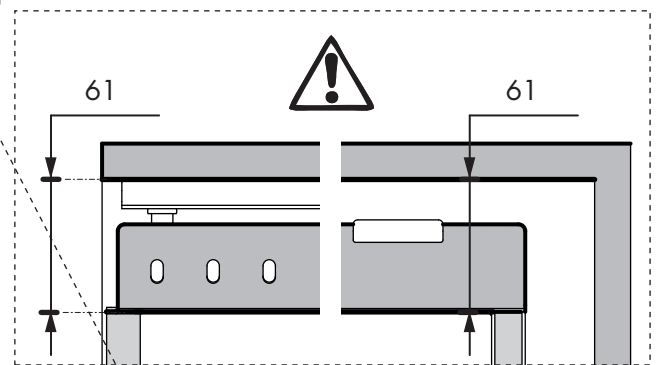
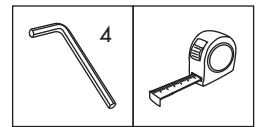
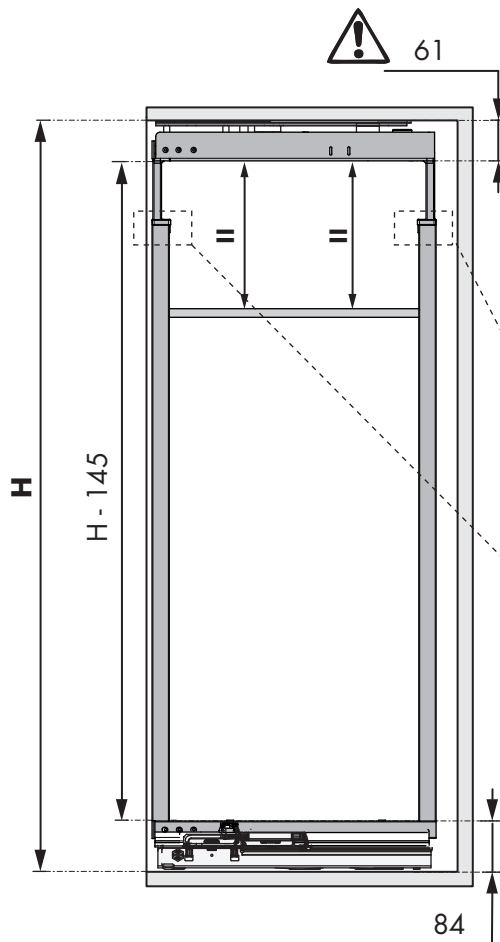
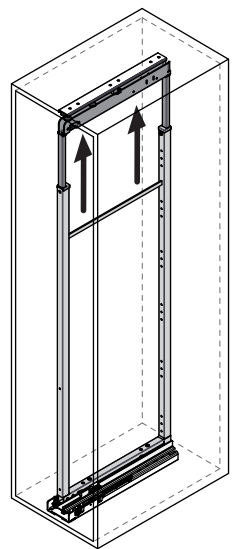
7



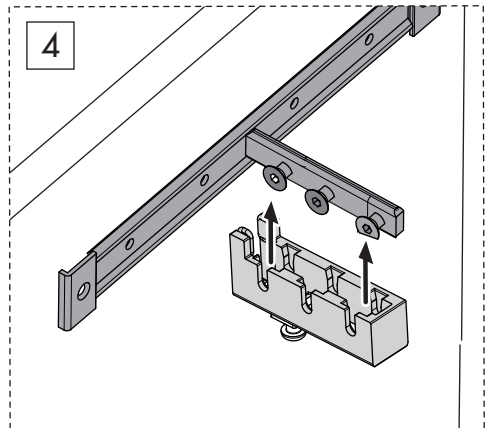
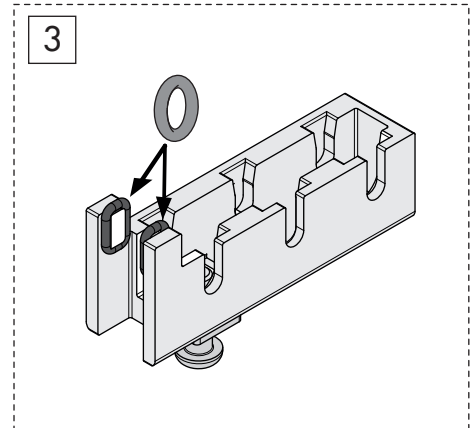
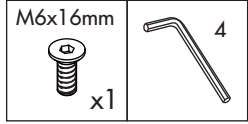
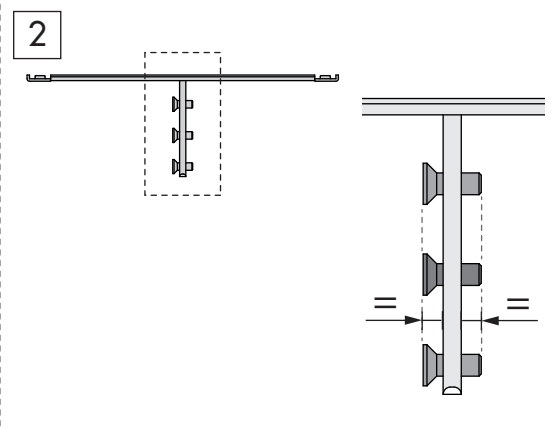
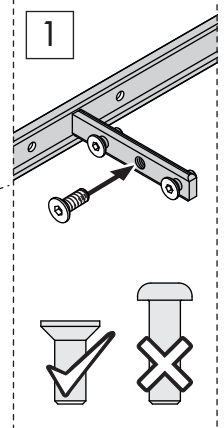
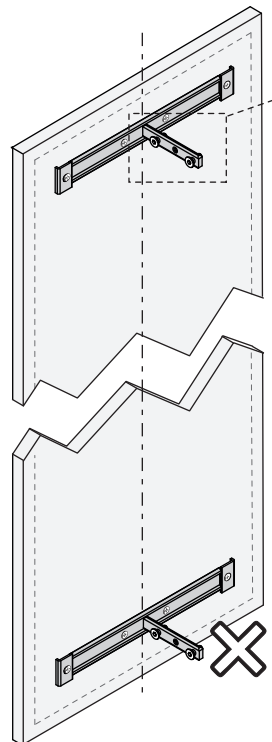
8



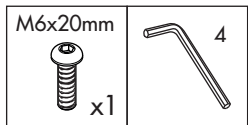
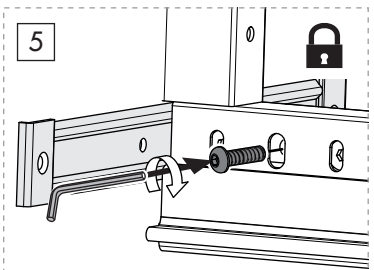
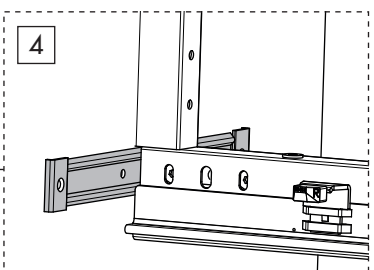
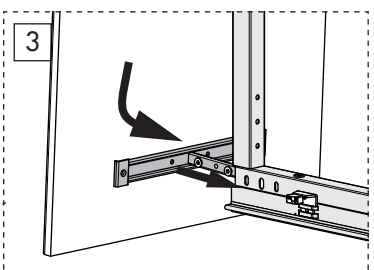
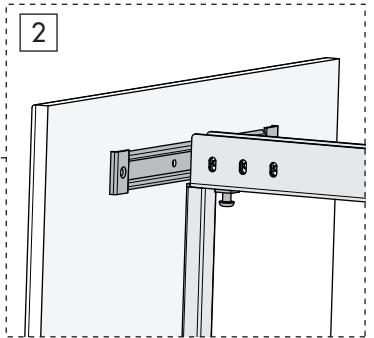
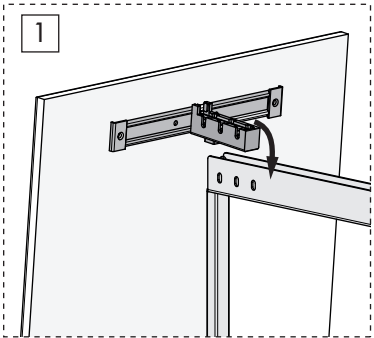
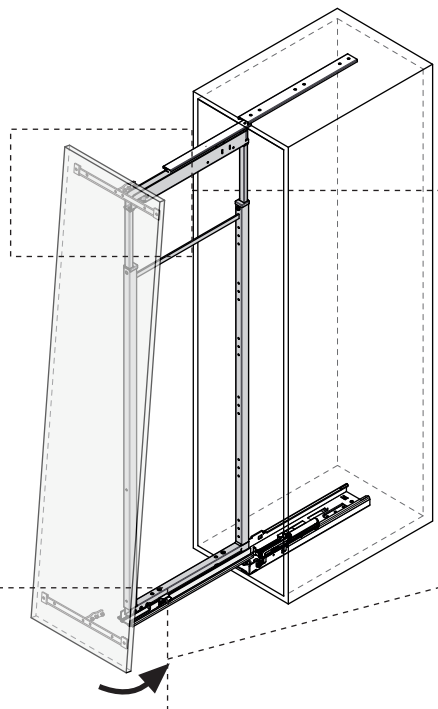
9



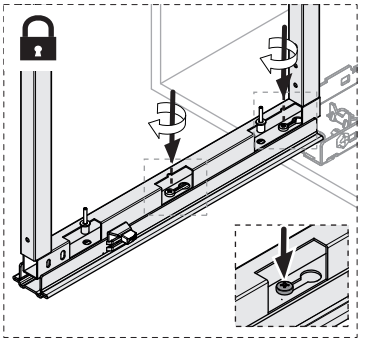
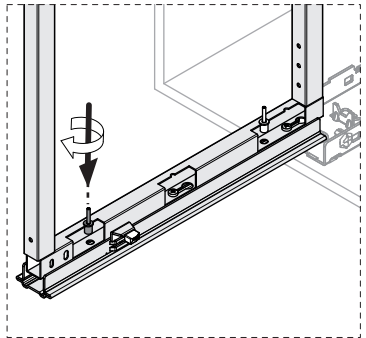
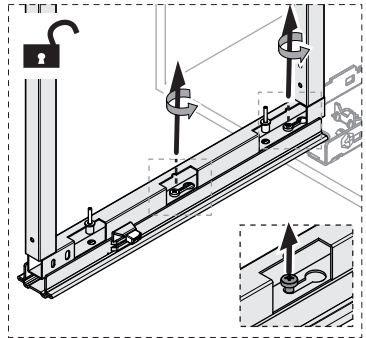
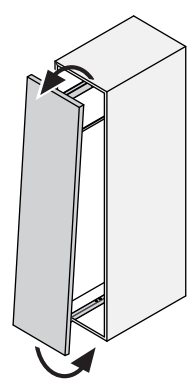
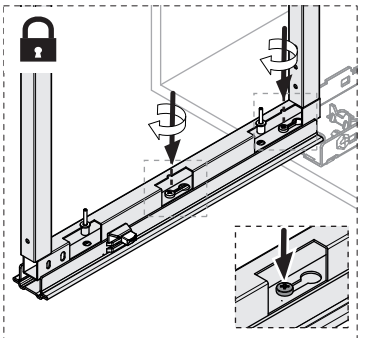
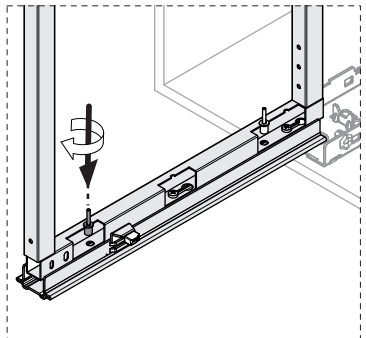
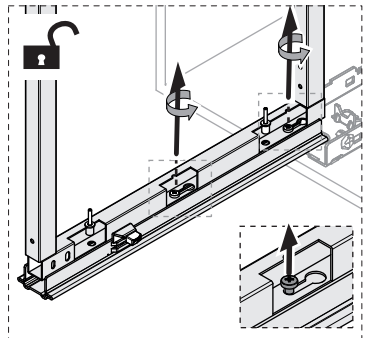
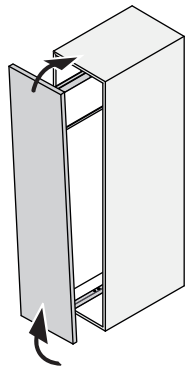
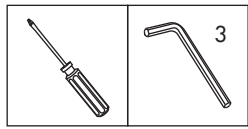
10



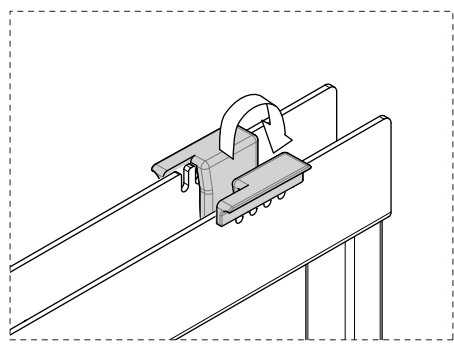
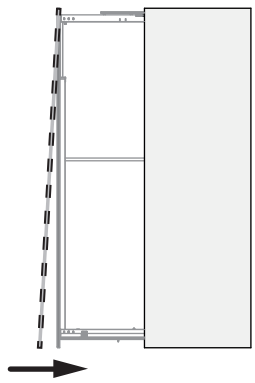
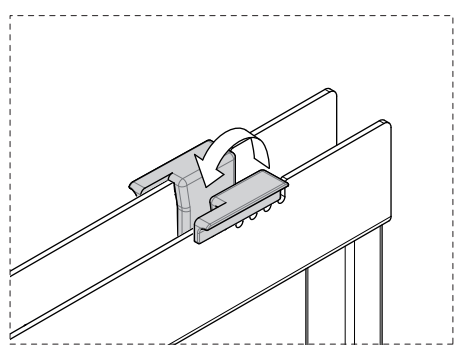
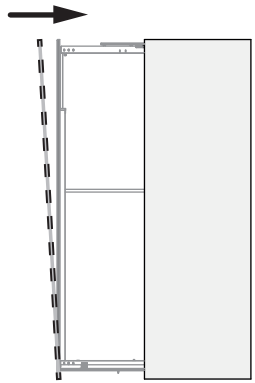
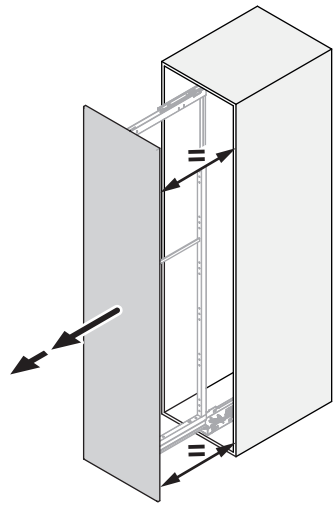
11

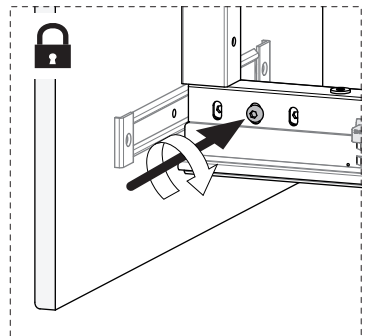
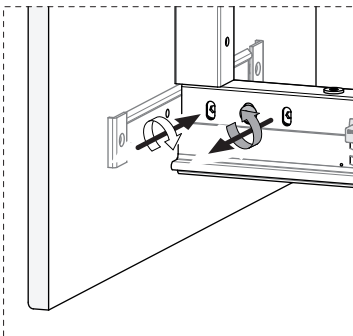
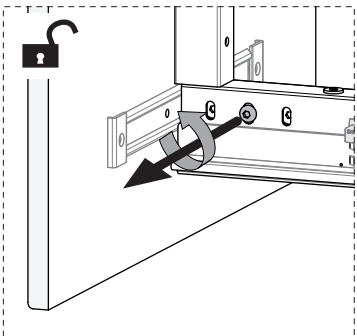
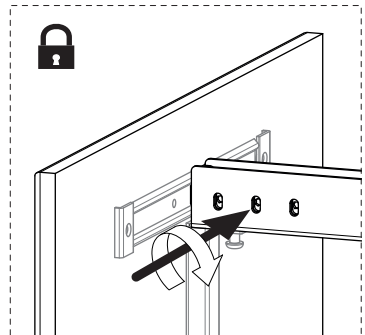
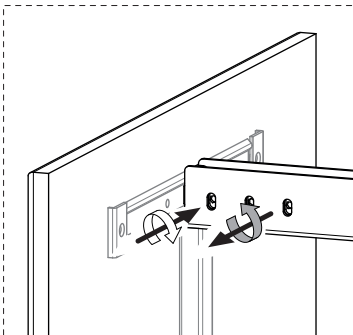
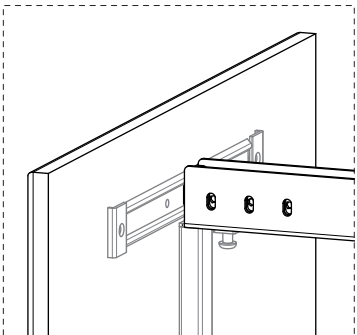
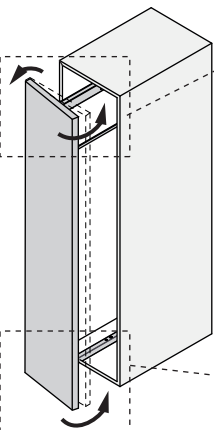
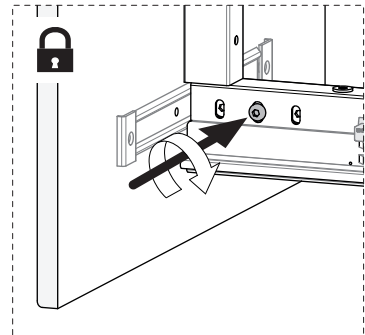
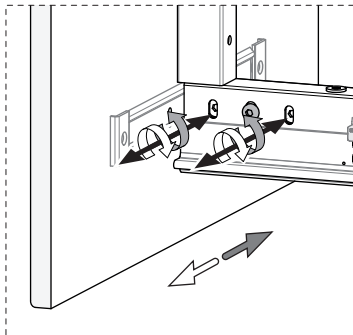
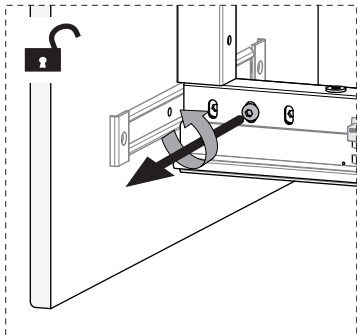
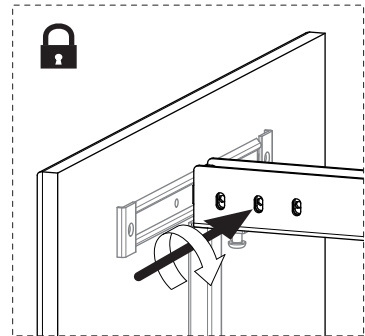
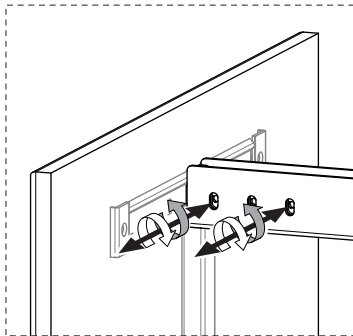
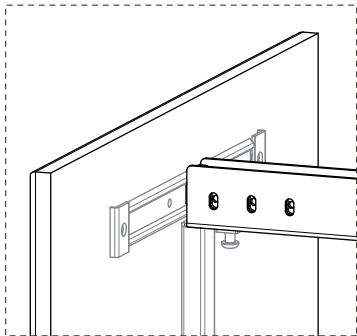
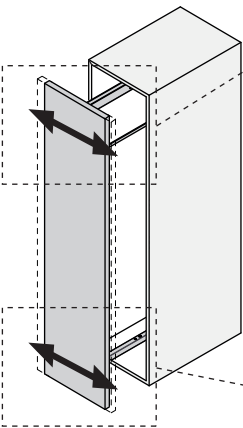
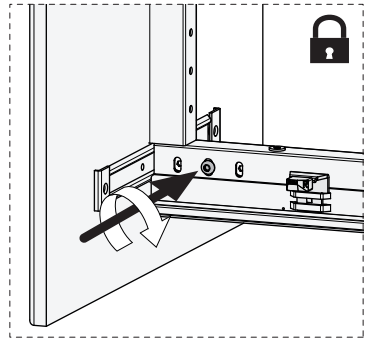
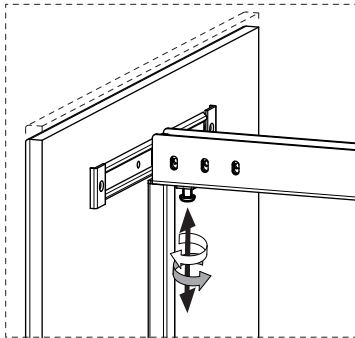
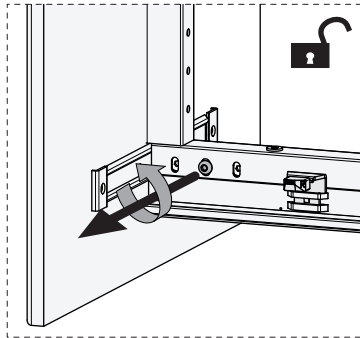
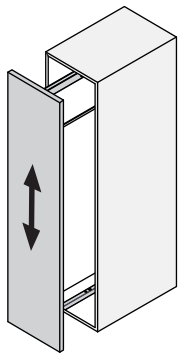
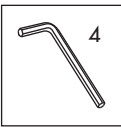


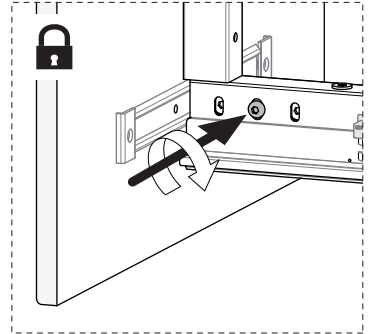
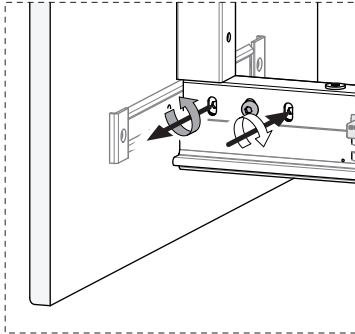
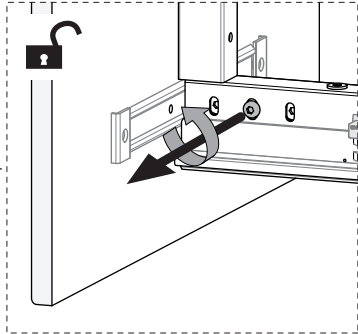
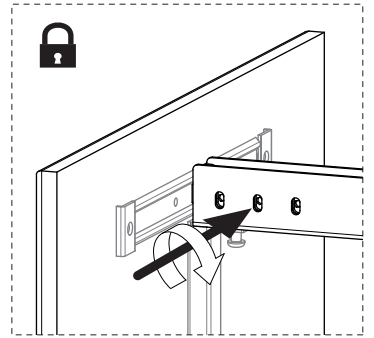
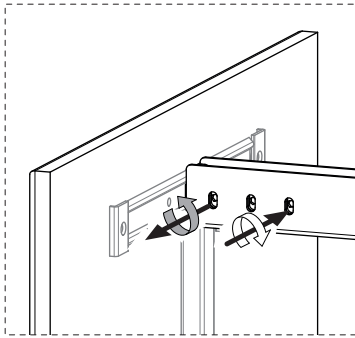
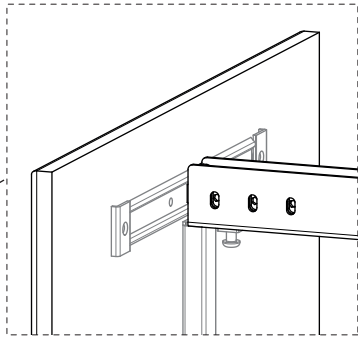
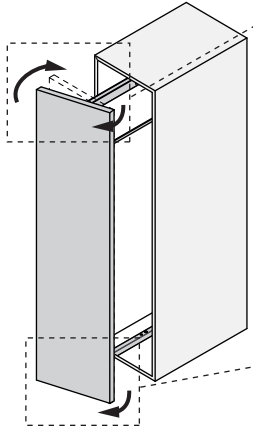
12



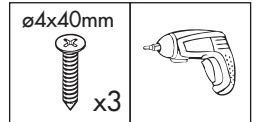
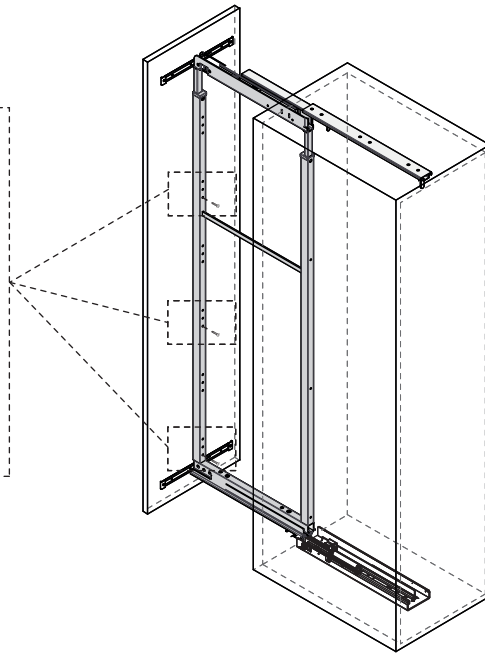
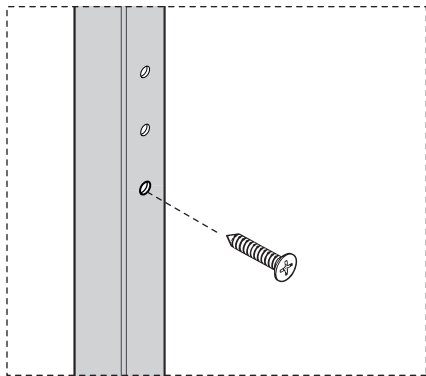
13







15



### Optional accessories

